



### 1. 使用環境條件

Apply Environmental Condition :

| No. | 項目 item                             | 規格 standard  |
|-----|-------------------------------------|--------------|
| 1-1 | 保存溫度<br>Storage Temperature Range   | -20°C ~ 60°C |
| 1-2 | 操作溫度<br>Operating Temperature Range | -10°C ~ 60°C |
| 1-3 | 操作電壓<br>Operating Voltage Range     | 6.0V~8.4V    |

### 2. 測試環境

Standard Test Environment :

|     |                                   |  |
|-----|-----------------------------------|--|
| 2-1 | 測試環境<br>Standard Test Environment | 每一个检查必须是正常的温度和湿度进行测量，温度 25 ± 5°C，相对湿度 65 ± 10%，在按照本规范的标准测试条件下判断特征。<br><br>Every characteristic of the inspect must be normal temperature and humidity carry out the test , temperature 25±5°C and relative humidity 65±10% of judgment made in accordance with this specification standard testing conditions. |
|-----|-----------------------------------|--|

### 3. 外觀檢查

Appearance Inspection :

| No. | 項目 item                 | 規格 standard  |
|-----|-------------------------|--|
| 3-1 | 外觀尺寸<br>Outline Drawing | 尺寸见附件<br>Dimension see the attachment                    |
| 3-2 | 外觀<br>Appearance        | 无损坏，不允许影响功能<br>No damage which affects functions allowed |



#### 4. 電氣特性

Electrical Specification (Function of the Performance) :

| No. | 項目 item                              | 6.0V          | 7.4V          |
|-----|--------------------------------------|---------------|---------------|
| 4-1 | 空載轉速<br>Operating speed (at no load) | 0.092 sec/60° | 0.074 sec/60° |
| 4-2 | 空載電流<br>Running current (at no load) | 200 mA        | 200 mA        |
| 4-3 | 停止扭力<br>Stall torque (at locked)     | 39 kg-cm      | 40 kg-cm      |
| 4-4 | 停止電流<br>Stall current (at locked)    | 3600 mA       | 4400 mA       |
| 4-5 | 待機電流<br>Idle current (at stopped)    | 60 mA         | 60 mA         |

注：項目 4-2 定義平均值時，伺服器無負荷運行

Note: Item 4-2 definition is average value when the servo running with no load

#### 5. 機械特性

Mechanical Specification :

| No. | 項目 item                       | 規格 standard             |
|-----|-------------------------------|-------------------------|
| 5-1 | 齒輪材料<br>Materials of the gear | 鋼齒<br>Steel             |
| 5-2 | 機構極限角度<br>Limit angle         | 180° ± 10°              |
| 5-3 | 重量<br>Weight                  | 83 ± 1g                 |
| 5-4 | 導線規格<br>Connector wire gauge  | #26 PVC                 |
| 5-5 | 導線長度<br>Connector wire length | 300 ± 5 mm              |
| 5-6 | 舵片規格<br>Horn gear spline      | 25T/φ5.80               |
| 5-7 | 舵片種類<br>Horn type             | 半臂，一字<br>Single, Double |
| 5-8 | 減速比<br>Reduction ratio        | 1/306                   |



Product Name  
無刷伺服器 Brushless Servo

Model No.  
T50-BHV

Version  
V1

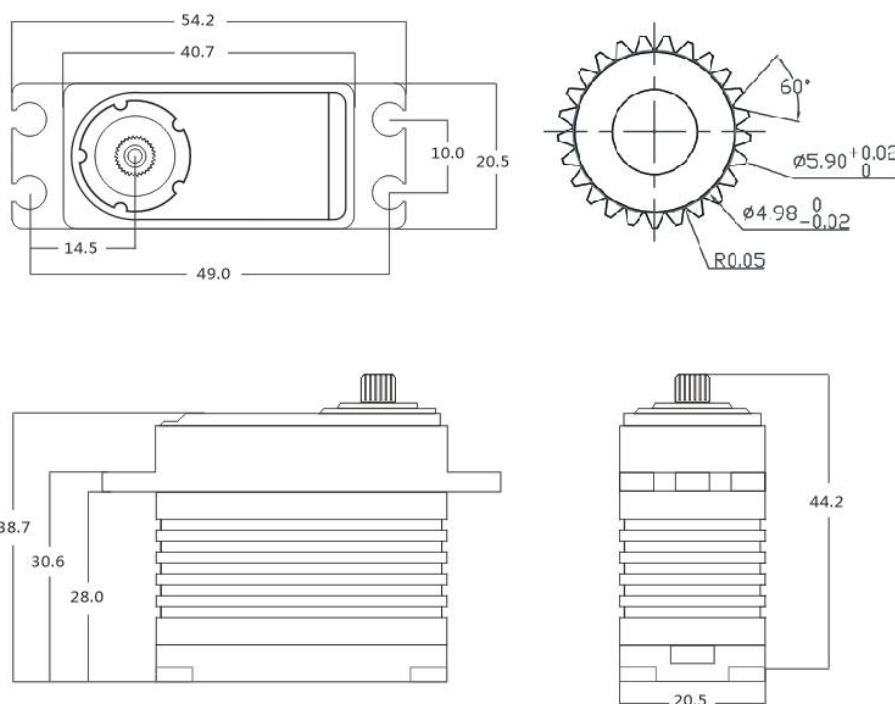
Page  
2/3

## 6. 控制特性

Control Specification :

| No. | 項目 item                     | 规格 standard   |
|-----|-----------------------------|---|
| 6-1 | 控制系統<br>Control system      | 改变脉冲宽度<br>Pulse Width Modification                            |
| 6-2 | 放大器種類<br>Amplifier type     | 50~1500Hz 数字控制器<br>50~1500Hz Digital Controller               |
| 6-3 | 操作角度<br>Operating travel    | 90° (在 1000→2000 μsec)  |
| 6-4 | 中立位置<br>Neutral position    | 1500 μsec   |
| 6-5 | 脈波訊號虛位<br>Dead band width   | 2 μsec  |
| 6-6 | 旋轉方向<br>Rotating direction  | 顺时针 (在 1500→2000 μsec)<br>Clockwise (when 1500→2000 μsec)     |
| 6-7 | 脈波寬度範圍<br>Pulse width range | 900→2100 μsec   |
| 6-8 | 可作動角度範圍<br>Maximum travel   | 大约 110° (在 900→2100 μsec)<br>Approx 110° (when 900→2100 μsec) |

单位: mm



Product Name  
無刷伺服器 Brushless Servo

Model No.  
T50-BHV

Version  
V1

Page  
3/3